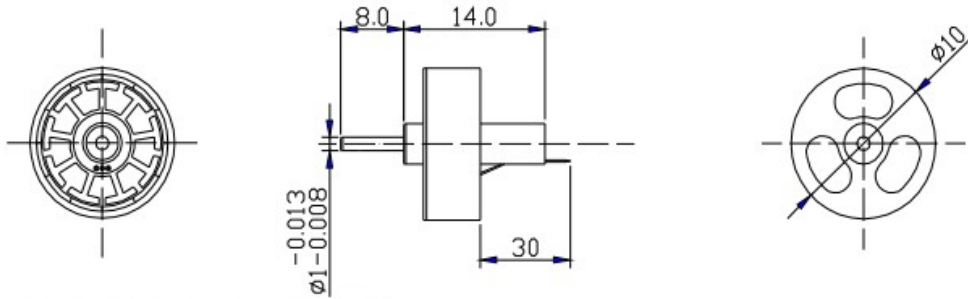


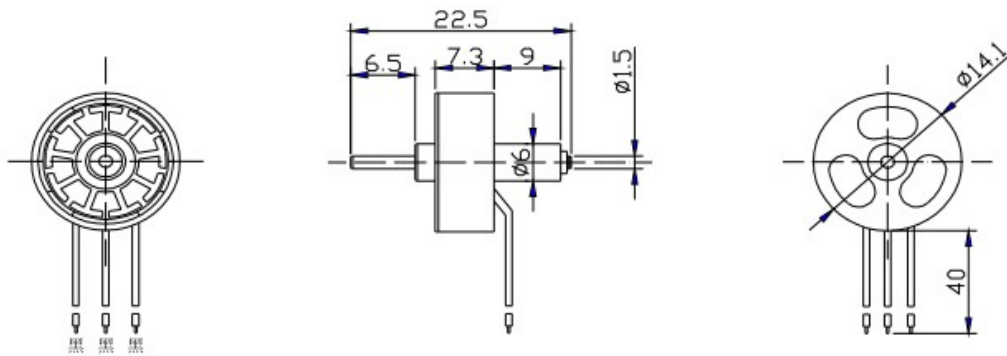
Model	KV (rpm/v)	Volt (v)	No Load Current (A)	No Load Speed (rpm)	Resistance (mΩ)	Prop	Load Current (A)	Load Speed (rpm)	Pull (g)	Max Power (W)	Motor Weight (g)
D1000	10500	3.7	0.1	38800	0.286	EP3020	3	28000	40	12	2

### 3.尺寸 (Size) :



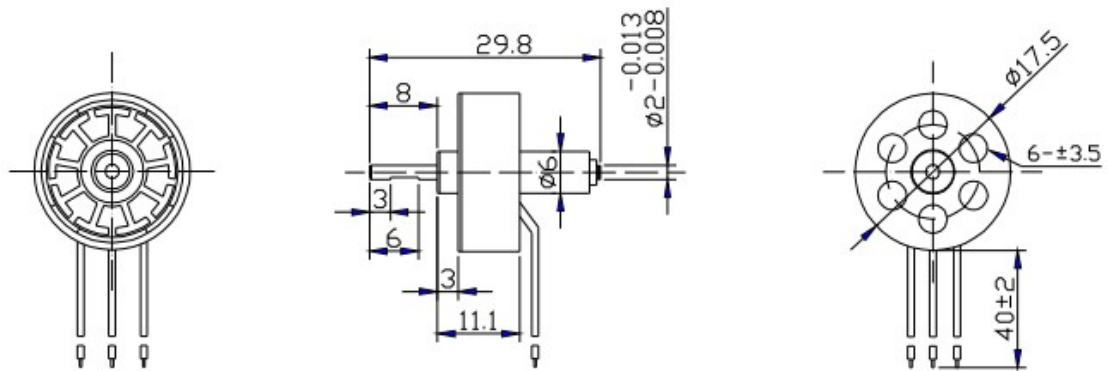
Model	KV (rpm/v)	Volt (v)	No Load Current (A)	No Load Speed (rpm)	Resistance (mΩ)	Prop	Load Current (A)	Load Speed (rpm)	Pull (g)	Max Power (W)	Motor Weight (g)
D1400	2000	7.4	0.4	16300	1.460	6030	2	6500	80	30	5.5

### 3.尺寸 (Size) :



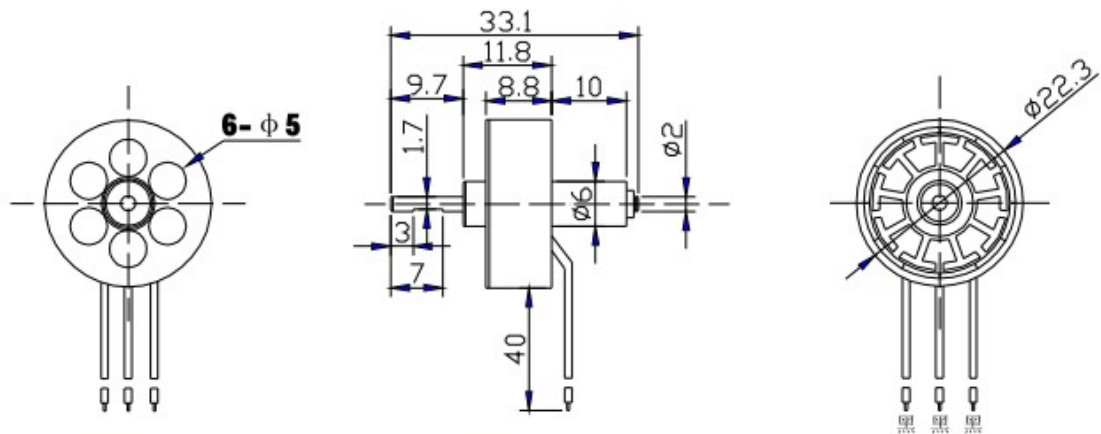
Model	KV (rpm/v)	Volt (v)	No Load Current (A)	No Load Speed (rpm)	Resistance (mΩ)	Prop	Load Current (A)	Load Speed (rpm)	Pull (g)	Max Power (W)	Motor Weight (g)
D1800	3800	7.4	0.9	29000	0.205	EP5030	7.0	19000	200	59	10

### 3.尺寸 (Size) :



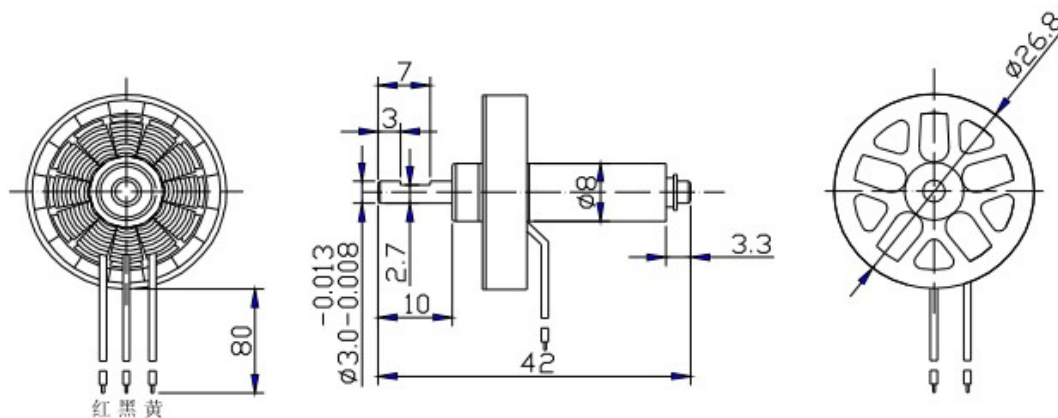
Model	KV (rpm/v)	Volt (v)	No Load Current (A)	No Load Speed (rpm)	Resistance (mΩ)	Prop	Load Current (A)	Load Speed (rpm)	Pull (g)	Max Power (W)	Motor Weight (g)
D2211	1700	7.4	0.5	12000	0.390	GWS7035	3.8	9400	210	50	17

### 3.尺寸 (Size) :



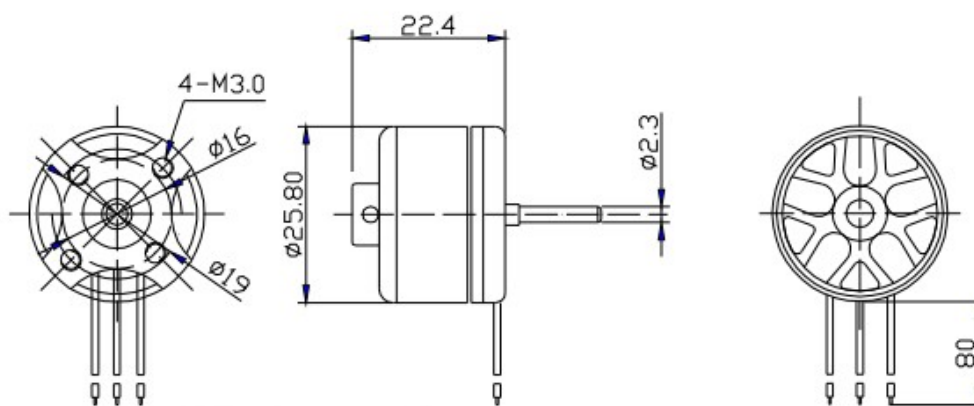
Model	KV (rpm/v)	Volt (v)	No Load Current (A)	No Load Speed (rpm)	Resistance (mΩ)	Prop	Load Current (A)	Load Speed (rpm)	Pull (g)	Max Power (W)	Motor Weight (g)
D2730	1300	11.1	0.6	30000	0.400	ST7*5	6.6	8960	320	90	23

### 3.尺寸 (Size) :



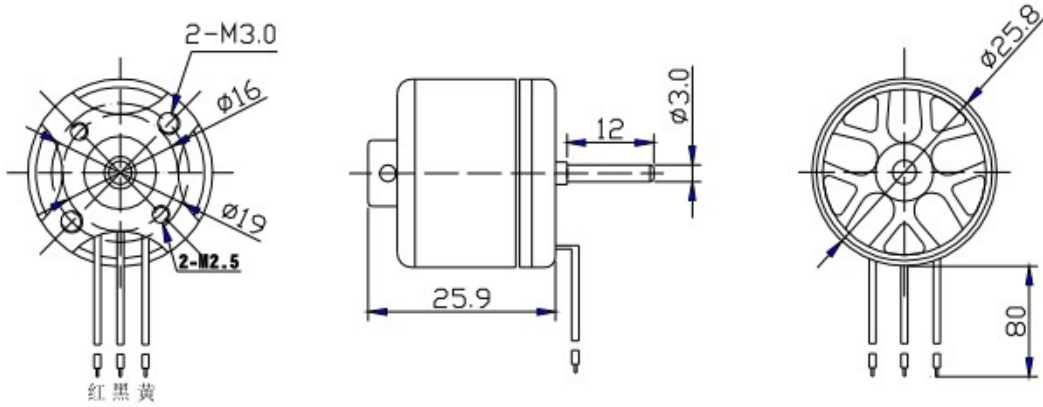
Model	KV (rpm/v)	Volt (v)	No Load Current (A)	No Load Speed (rpm)	Resistance (mΩ)	Prop	Load Current (A)	Load Speed (rpm)	Pull (g)	Max Power (W)	Motor Weight (g)
D2623	4500	11.1	1.7	49000	0.095	APC4.1*4.1	19	21900	400	80	28

### 3.尺寸 (Size) :



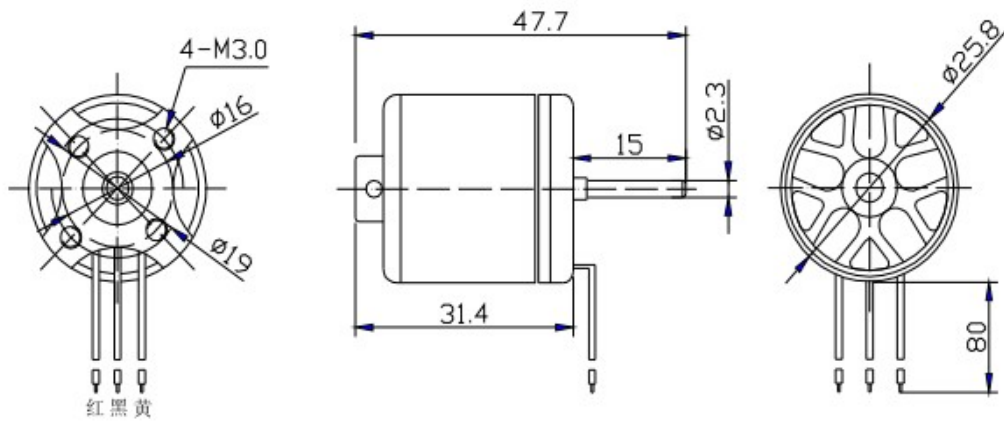
Model	KV (rpm/v)	Volt (v)	No Load Current (A)	No Load Speed (rpm)	Resistance ( $m\Omega$ )	Prop	Load Current (A)	Load Speed (rpm)	Pull (g)	Max Power (W)	Motor Weight (g)
D2627	1200	11.1	0.5	14500	0.235	EP1047	10	4400	400	110	38

### 3.尺寸 (Size) :



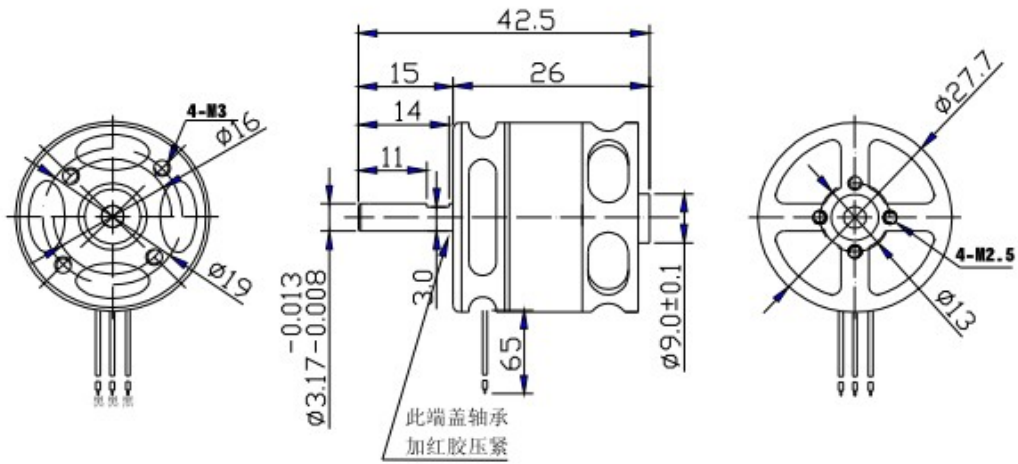
Model	KV (rpm/v)	Volt (v)	No Load Current (A)	No Load Speed (rpm)	Resistance ( $m\Omega$ )	Prop	Load Current (A)	Load Speed (rpm)	Pull (g)	Max Power (W)	Motor Weight (g)
D2632	1000	11.1	0.8	2200	0.262	APC7*6	12	8900	410	160	53

### 3.尺寸 (Size) :



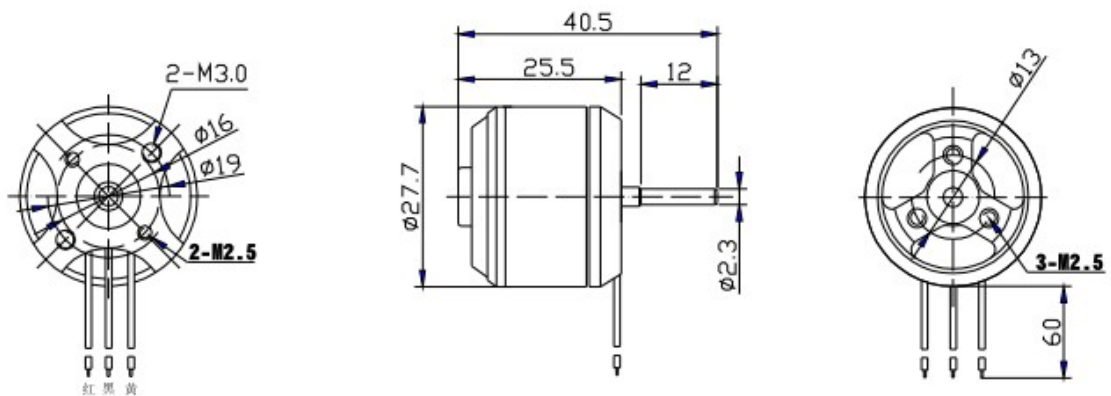
Model	KV (rpm/v)	Volt (v)	No Load Current (A)	No Load Speed (rpm)	Resistance (mΩ)	Prop	Load Current (A)	Load Speed (rpm)	Pull (g)	Max Power (W)	Motor Weight (g)
D2825	1200	11.1	0.9	13500	0.109	10*4.7	13	24000	500	160	42

### 3.尺寸 (Size) :



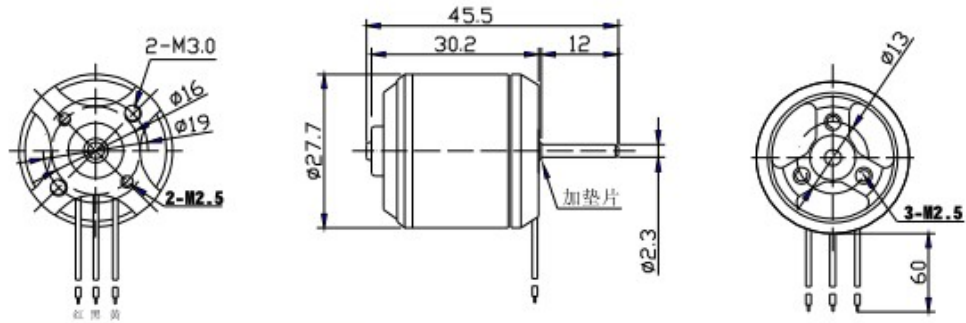
Model	KV (rpm/v)	Volt (v)	No Load Current (A)	No Load Speed (rpm)	Resistance (mΩ)	Prop	Load Current (A)	Load Speed (rpm)	Pull (g)	Max Power (W)	Motor Weight (g)
D2825	5000	11.1	3.8	55500	0.050	4.1*4.1	25	24000	220	80	33

### 3.尺寸 (Size) :



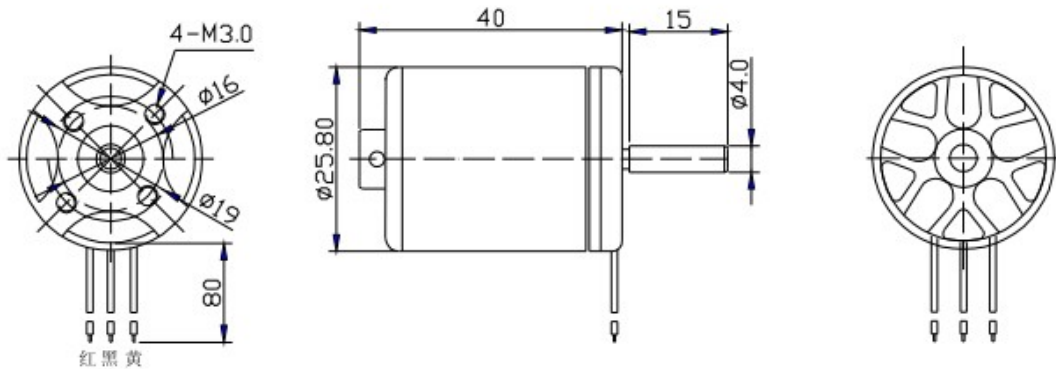
Model	KV (rpm/v)	Volt (v)	No Load Current (A)	No Load Speed (rpm)	Resistance (mΩ)	Prop	Load Current (A)	Load Speed (rpm)	Pull (g)	Max Power (W)	Motor Weight (g)
D2830	3500	11.1	3.0	39000	0.036	4.1*4.1	20	21400	250	380	57

### 3.尺寸 (Size) :



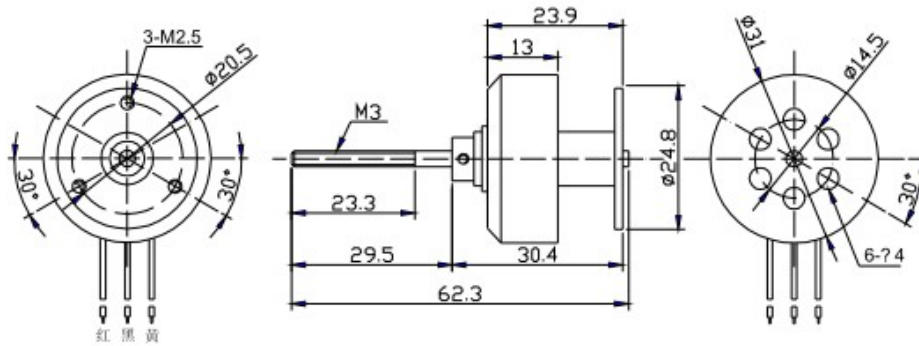
Model	KV (rpm/v)	Volt (v)	No Load Current (A)	No Load Speed (rpm)	Resistance (mΩ)	Prop	Load Current (A)	Load Speed (rpm)	Pull (g)	Max Power (W)	Motor Weight (g)
D2836	3200	11.1	2.6	38000	0.018	4.1*4.1	34	32000	850	750	78

### 3.尺寸 (Size) :



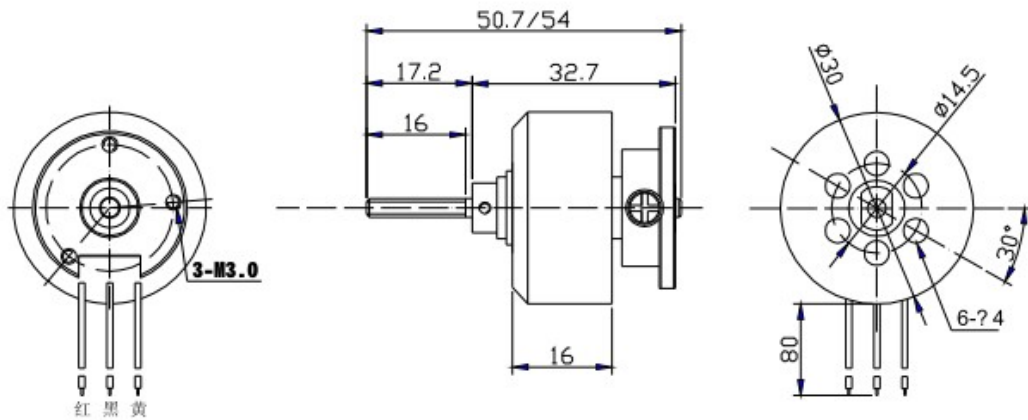
Model	KV (rpm/v)	Volt (v)	No Load Current (A)	No Load Speed (rpm)	Resistance (mΩ)	Prop	Load Current (A)	Load Speed (rpm)	Pull (g)	Max Power (W)	Motor Weight (g)
DST	1000	11.1	0.8	10800	0.139	0947	12	8800	700	250	55

### 3.尺寸 (Size) :



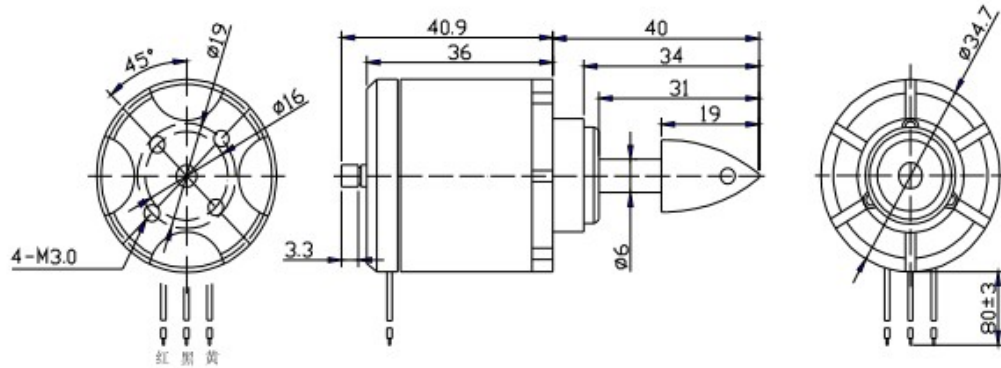
Model	KV (rpm/v)	Volt (v)	No Load Current (A)	No Load Speed (rpm)	Resistance (mΩ)	Prop	Load Current (A)	Load Speed (rpm)	Pull (g)	Max Power (W)	Motor Weight (g)
D3128	1550	7.4	1.2	11500	0.108	7*7.5 三叶桨	15.8	8890	550	460	70

### 3.尺寸 (Size) :



Model	KV (rpm/v)	Volt (v)	No Load Current (A)	No Load Speed (rpm)	Resistance (mΩ)	Prop	Load Current (A)	Load Speed (rpm)	Pull (g)	Max Power (W)	Motor Weight (g)
D3536	800	11.1	1.6	9000	0.035	12*6	25.4	67600	1490	900	165

### 3.尺寸 (Size) :



Model	KV (rpm/v)	Volt (v)	No Load Current (A)	No Load Speed (rpm)	Resistance (mΩ)	Prop	Load Current (A)	Load Speed (rpm)	Pull (g)	Max Power (W)	Motor Weight (g)
D3648	600	11.1	1.8	6740	0.028	14" 三叶桨	41.5/14.8V	6380	2680	1200	205

### 3.尺寸 (Size) :

